

VISION trimline

TRUE TRIMLESS GAS FIRES



2017 - 2018 EDITION



**TRUE BEAUTY
REQUIRES NO EXPLANATION**

TRUE TRIMLESS GAS FIRES

DESIGNED AND ENGINEERED IN THE NETHERLANDS

CONTENTS.

TL38 Trimless	Page 09	TL120t Tunnel	Page 21	TL73 Blok	Page 36
TL38c Trimless	Page 10	TL120p Panoramic	Page 22	TL73 Phase	Page 37
TL46 Trimless	Page 11	TL140 Trimless	Page 23	TL100 Silhouette	Page 38
TL63h Trimless	Page 12	TL140p Panoramic	Page 24	TL100 Phase	Page 39
TL73 Trimless	Page 13	TL170 Trimless	Page 25	TL100 Bold	Page 40
TL73h Trimless	Page 14	TL38 Rise	Page 28	TL100 Deco	Page 41
TL73ht Tunnel	Page 15	TL46 Phase	Page 29	TL60cf Trimless	Page 43
TL73rd Room Divider	Page 16	TL63h Fairfield	Page 30	TL60cf Woodbury	Page 44
TL100 Trimless	Page 17	TL73h Torino	Page 31	TL60cf Custom Mantel Kit	Page 45
TL100t Tunnel	Page 18	TL73h Thirlmere	Page 32	Optional Extras	Page 48
TL100p Panoramic	Page 19	TL73h Linear	Page 33	Product Dimensions	Page 50
TL120 Trimless	Page 20	TL73h Custom Mantel Kit	Page 34	Technical Spec	Page 54
				Flue Systems	Page 55

ULTRA REALISTIC, NATURAL FLAME PICTURE.

The ability to control fire was a dramatic change in the development of humanity. Among many things, it provided warmth, light and security, allowing us the freedom to pursue our dreams and passions.

We believe that this base connection still exists and is the reason why we still desire to use a fireplace as the central focal point of our living space.

The Vision Trimline range has been designed with the specific purpose of recreating that instinctive connectivity with nature.

Our innovative fires are skilfully engineered to allow a true trimless aspect. This means no distracting frames or visible mechanical workings - just fire.

Furthermore, meticulous attention has been paid to the realisation of our fuel bed and flame patterns to ensure a perfect recreation of a natural, living fire.

Authenticity is everything.
Accept nothing else.





**INSPIRED
& RECREATED**



NO CHIMNEY? NO PROBLEM.

One of the most innovative aspects of all Vision Trimline fires is that there is no need for an existing chimney to be present. This is all down to the clever features of our balanced flue system.

A balanced flue gas fire is fully room sealed. Not only does this make for a highly efficient and safe appliance, but when combined with our concentric flue components, our fires can be positioned in virtually any part of your home with a relatively simple 'chimney column' built around it.

This may be a typically styled chimney breast positioned against a wall, or a floating pillar in the centre of your room.

We can supply all of the necessary components required to build your chimney - just consult your dealer for further information.

We like to keep things simple. Your toughest decision will be deciding what colour to paint it!





LET THE FLAMES BEGIN...

Many Vision Trimline fires are available with a variety of alternative fuel beds and chamber linings. More details of these can be found on page 44.



TL38 TRIMLESS

TL38 TRIMLESS GAS FIRE - LAMEL CHAMBER - ULTRA REAL CERAMIC LOGS



TL38c TRIMLESS

TL38c TRIMLESS GAS FIRE - LAMEL CHAMBER - ULTRA REAL CERAMIC LOGS



TL46 TRIMLESS

TL46 TRIMLESS GAS FIRE - BLACK STEEL CHAMBER - ULTRA REAL CERAMIC LOGS

AVAILABLE WITH
ANTI REFLECTIVE GLASS
SEE PAGE 48 FOR DETAILS





TL73 TRIMLESS

TL73 TRIMLESS GAS FIRE - LAMEL CHAMBER - ULTRA REAL CERAMIC LOGS

AVAILABLE WITH
ANTI REFLECTIVE GLASS
SEE PAGE 48 FOR DETAILS



AVAILABLE WITH
ANTI REFLECTIVE GLASS
SEE PAGE 48 FOR DETAILS



TL73ht TUNNEL

TL73ht TRIMLESS GAS FIRE - ULTRA REAL CERAMIC LOGS



AVAILABLE WITH
ANTI REFLECTIVE GLASS
SEE PAGE 48 FOR DETAILS



TL100 TRIMLESS

TL100 TRIMLESS GAS FIRE - LAMEL CHAMBER - ULTRA REAL CERAMIC LOGS

AVAILABLE WITH
ANTI REFLECTIVE GLASS
SEE PAGE 48 FOR DETAILS





TL100p PANORAMIC

TL100p TRIMLESS GAS FIRE - LAMEL CHAMBER - ULTRA REAL CERAMIC LOGS

AVAILABLE WITH

ANTI REFLECTIVE GLASS

SEE PAGE 48 FOR DETAILS



AVAILABLE WITH
ANTI REFLECTIVE GLASS
SEE PAGE 48 FOR DETAILS



TL120t TUNNEL

TL120t TRIMLESS GAS FIRE - ULTRA REAL CERAMIC LOGS



TL120p PANORAMIC

TL120p TRIMLESS GAS FIRE - LAMEL CHAMBER - ULTRA REAL CERAMIC LOGS

AVAILABLE WITH
ANTI REFLECTIVE GLASS
SEE PAGE 48 FOR DETAILS



TL140 TRIMLESS TL140 TRIMLESS GAS FIRE - LAMEL CHAMBER - ULTRA REAL CERAMIC LOGS





TL170 TRIMLESS

TL170 TRIMLESS GAS FIRE - LAMEL CHAMBER - ULTRA REAL CERAMIC LOGS

...AND IF YOU WANT TO TRIM...

Vision Trimline fires offer a sense of true minimalist beauty. However, if your home style dictates, there can sometimes be a requirement for a little more flare - even extravagance!

To address this, we have created a range of frames and fireplaces that have a certain synergy with our fires. Sharing the same design ethos and manufactured to the same high standards, we have crafted a range

that includes a variety of materials with a wonderful, natural beauty.

The theme here is 'Harmony'.

From Brazilian slate to Portuguese limestone, each material choice was carefully selected to complement the design whilst not detracting from the visual element of the fire itself.

...DO IT IN STYLE.





TL38 RISE

TL38 TRIMLESS GAS FIRE - LAMEL CHAMBER - ULTRA REAL CERAMIC LOGS
PORTUGUESE LIMESTONE AND BRAZILIAN SLATE FIREPLACE



TL46 PHASE TL46 TRIMLESS GAS FIRE - BLACK STEEL CHAMBER - ULTRA REAL CERAMIC LOGS
PHASE STEEL TRIM

AVAILABLE WITH
ANTI REFLECTIVE GLASS
SEE PAGE 48 FOR DETAILS





AVAILABLE WITH
ANTI REFLECTIVE GLASS
SEE PAGE 48 FOR DETAILS

TL73h TORINO TL73h TRIMLESS GAS FIRE - BLACK STEEL CHAMBER - ULTRA REAL CERAMIC LOGS
PORTUGUESE LIMESTONE FIREPLACE

AVAILABLE WITH
ANTI REFLECTIVE GLASS
SEE PAGE 48 FOR DETAILS



AVAILABLE WITH
ANTI REFLECTIVE GLASS
SEE PAGE 48 FOR DETAILS



TL73h LINEAR

TL73h TRIMLESS GAS FIRE - BLACK STEEL CHAMBER - ULTRA REAL CERAMIC LOGS
AGEAN LIMESTONE FIREPLACE

AVAILABLE WITH
ANTI REFLECTIVE GLASS
SEE PAGE 48 FOR DETAILS



TL73h CUSTOM MANTEL

TL73h TRIMLESS GAS FIRE - BLACK STEEL CHAMBER - ULTRA REAL CERAMIC LOGS
NATURAL ITALIAN SLATE HEARTH - BRUSHED STEEL PLATE WITH NATURAL ITALIAN SLATE INNER HEARTH (MANTEL NOT INCLUDED)

Custom design your own Vision Trimline TL73h Fireplace

The TL73h trimless with its large glass front allows unrestricted views of the beautiful flames. Its easy to create a unique custom fireplace, the only limitation is your imagination! Create your perfect fireplace in 2 easy steps:

Step 1 - Pick your Mantel

Your mantel impacts the ambiance of your room, this is where your unique style can shine through. There are many options to consider in a variety of materials and designs. Any standard* mantel can be used, please ask your retailer for information.

Step 2 - Pick your hearth and slip set material

Available in natural Agean limestone, natural Portuguese limestone, natural black granite and natural slate as well a stylish brushed steel plate option, complete with natural slate inner step.



NATURAL BLACK GRANITE SLIP SET AND NATURAL BLACK GRANITE HEARTH



NATURAL AGEAN LIMESTONE SLIP SET AND NATURAL AGEAN LIMESTONE HEARTH

TL73h OPTIONAL CHAMBER LININGS

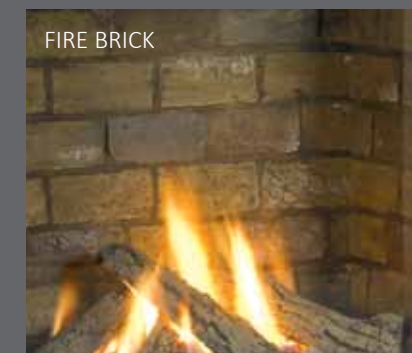
Available as an optional extra for all TL73h fires including TL73h Linear, TL73h Thirlmere and TL73h Torino and TL73h Custom Slip Sets.



LAMEL PANELS



VERMICULITE TILE



FIRE BRICK

* A standard mantel opening should measure 915mm width from inside leg to inside leg and 915mm height from the ground to the underside of the header (leg length). Maximum width allowed: 920mm, Minimum width allowed: 800mm. Maximum height allowed: 930mm, Minimum height allowed: 810mm. Note that the images shown on these pages show mantels with a standard opening. Any mantel used within the allowed range of measurements that differs from a standard opening may result in an altered aesthetic proportion.



TL73 BLOK

TL73 TRIMLESS GAS FIRE - LAMEL CHAMBER - ULTRA REAL CERAMIC LOGS - PORTUGUESE LIMESTONE FIREPLACE (ALSO AVAILABLE AS 'TL73 BOLD' IN BRAZILIAN SLATE - SEE PAGE 40)



TL73 PHASE

TL73 TRIMLESS GAS FIRE - LAMEL CHAMBER - ULTRA REAL CERAMIC LOGS
PHASE STEEL TRIM

AVAILABLE WITH
ANTI REFLECTIVE GLASS
SEE PAGE 48 FOR DETAILS



AVAILABLE WITH
ANTI REFLECTIVE GLASS
SEE PAGE 48 FOR DETAILS



TL100 PHASE

TL100 TRIMLESS GAS FIRE - LAMEL CHAMBER - ULTRA REAL CERAMIC LOGS
PHASE STEEL TRIM

AVAILABLE WITH
ANTI REFLECTIVE GLASS
SEE PAGE 48 FOR DETAILS



AVAILABLE WITH
ANTI REFLECTIVE GLASS
SEE PAGE 48 FOR DETAILS



TL100 DECO

TL100 TRIMLESS GAS FIRE - LAMEL CHAMBER - ULTRA REAL CERAMIC LOGS
DECO BRAZILIAN SLATE FRAME

CONVENTIONAL THINKING.

If your home does feature a conventional brick chimney and you wish to utilise this, then we have that covered with our TL60cf appliance. Like our balanced flue appliances, the TL60cf can be fitted trimless, with the classically styled Woodbury fireplace suite, or with a variety of fireplace mantels to create a truly unique focal point to your living space.



AVAILABLE WITH
ANTI REFLECTIVE GLASS
SEE PAGE 48 FOR DETAILS



TL60cf TRIMLESS

TL60CF TRIMLESS GAS FIRE - LAMEL CHAMBER - ULTRA REAL CERAMIC LOGS
HONED GRANITE SLIPS

AVAILABLE WITH
ANTI REFLECTIVE GLASS
SEE PAGE 48 FOR DETAILS



Custom design your own Vision Trimline TL60cf Fireplace

The TL60CF is the first conventionally flued fire in the Vision Trimline range. It fits perfectly with any style of interior and can be fitted trimless or, for those who would prefer to trim, there is the option to create your own unique custom fireplace. The only limitation is your imagination! Create your perfect fireplace in 2 easy steps:

Step 1 - Pick your Mantel

Your mantel impacts the ambience of your room, this is where your unique style can shine through. There are many options to consider in a variety of materials and designs. Any standard* mantel can be used, please ask your retailer for information.

Step 2 - Pick your hearth and slip set material

Available in natural Agean limestone, natural Portuguese limestone, natural black granite and natural Italian slate as well a stylish brushed steel plate option, complete with natural slate inner step.



NATURAL AGEAN LIMESTONE SLIP SET AND NATURAL AGEAN LIMESTONE HEARTH



NATURAL BLACK GRANITE SLIP SET AND NATURAL BLACK GRANITE HEARTH

* A standard mantel opening should measure 915mm width from inside leg to inside leg and 915mm height from the ground to the underside of the header (leg length). Maximum width allowed: 920mm, Minimum width allowed: 800mm. Maximum height allowed: 930mm, Minimum height allowed: 810mm. Note that the images shown on these pages show mantels with a standard opening. Any mantel used within the allowed range of measurements that differs from a standard opening may result in an altered aesthetic proportion.

EVERYTHING YOU NEED IN ONE PACKAGE.

We know the importance of keeping things simple. That's why every Vision Trimline fire comes complete with 'included extras' to help make your purchase as easy as possible.

As standard, all fires come complete with:

- Ecomax remote control - this sleek designed handset features thermostatic control, countdown timer to automatically turn off the fire, and an Ecomax button, allowing random high-low adjustment of the flames to regulate room temperature resulting in 40% energy saving.
- Adjustable legs - allowing you to easily install the fire at your desired height without the need for further, unnecessary building work.
- Control access door - a neat, gloss finish, access system to allow access to the manual fire controls.
- Convection vents - two of these are supplied with each fire to allow convected hot air from the chimney into your room.



NEW DOUBLE BURNER FEATURE

With the exception of the TL38 and TL46 models, all other Vision Trimline fires are equipped with an innovative **double burner** system. This clever feature staggers the flame pattern in two rows and gives an extra sense of depth and realism whilst offering a more economical way to use your fire. At the touch of a button the front burner row remains active whilst the rear burner row diminishes, giving unparalleled visual effect with a reduction of 40% of the heat output. Used in combination with the Ecomax remote control can result in the benefit of reduced running costs of up to 60%.



OPTIONAL EXTRAS. SOMETHING A LITTLE DIFFERENT?

If burning logs is not the look you are going for, then perhaps you would be more interested in an alternative fuel bed for your fire. Below you can see what we have to offer. For that extra WOW factor, why not choose to upgrade to a black mirrored glass lining for your fire chamber and add a reflection to the fuel bed and flames to give a remarkable effect of added depth and detail. Perhaps you may choose anti-reflective glass (ARG) which is available on many Vision Trimline models. This premium feature cleverly gives the illusion that there is no glass between the fire and you, creating an even more authentic experience. The table opposite shows the options available for each Vision Trimline fire.



High definition logs (standard) with lamel chamber



Carara stones with lamel chamber



Pebbles with lamel chamber



Basalt with black glass mirror chamber

	TL38/C	TL46	TL63H	TL73	TL73H	TL73RD	TL73T	TL100	TL100C/P	TL100T	TL120	TL120C/P	TL120T	TL140	TL140C/P	TL170	TL60cf
High definition logs	✓	✓	✓	✓	✓	✓	✓	✓	✓	✓	✓	✓	✓	✓	✓	✓	✓
Pebbles	⊙	×	⊙	⊙	⊙	⊙	⊙	⊙	⊙	⊙	⊙	⊙	⊙	⊙	⊙	⊙	×
Carara stones	×	×	×	×	×	×	×	⊙	⊙	⊙	⊙	⊙	⊙	⊙	⊙	⊙	×
Basalt	×	×	×	×	×	×	×	⊙	⊙	⊙	⊙	⊙	⊙	⊙	⊙	⊙	⊙
Flat steel	✓	✓	✓	✓	✓	✓	✓	✓	✓	✓	✓	✓	✓	✓	✓	✓	✓
Lamel	✓	×	✓	✓	⊙	×	×	✓	✓	✓	✓	✓	✓	✓	✓	✓	✓
Vermiculite tile	×	×	×	×	⊙	×	×	×	×	×	×	×	×	×	×	×	×
Fire brick	×	×	×	×	⊙	×	×	×	×	×	×	×	×	×	×	×	×
Black glass mirror	×	×	⊙	×	⊙	×	×	⊙	⊙	×	⊙	⊙	×	⊙	⊙	⊙	⊙
Wifi upgrade	⊙	⊙	⊙	⊙	⊙	⊙	⊙	⊙	⊙	⊙	⊙	⊙	⊙	⊙	⊙	⊙	⊙
Anti Reflective Glass	×	×	⊙	×	⊙	×	⊙	⊙	×	⊙	⊙	×	⊙	⊙	×	×	⊙

✓ = Comes as standard. ⊙ = Optional extra. × = Not available.

GO WiFi FOR MAXIMUM CONTROL

Introducing the latest upgrade option for Vision Trimline fires - the Myfire app. Using wireless technology that connects the fire to your home wifi network, you can now take control using your smartphone or tablet with features such as:

- Temperature adjustment and thermostatic control
- Flame pattern adjustment and animated wave profiles
- Individual user profiles
- Countdown timer
- Weekly programming

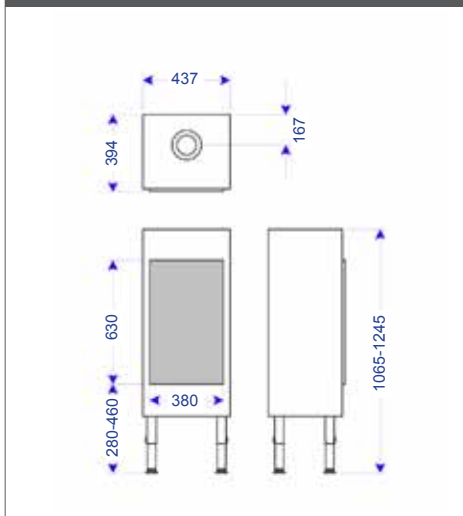
The wifi package is available as an optional upgrade for all fires in the Vision Trimline range.



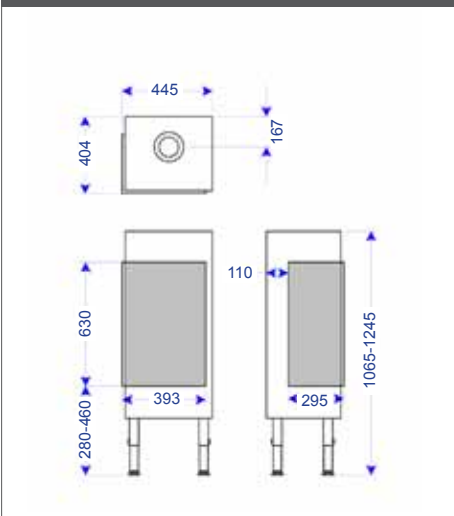
PRODUCT DIMENSIONS

All dimensions are in millimetres.
Dual dimensions indicate variable leg minimum and maximum height positions.

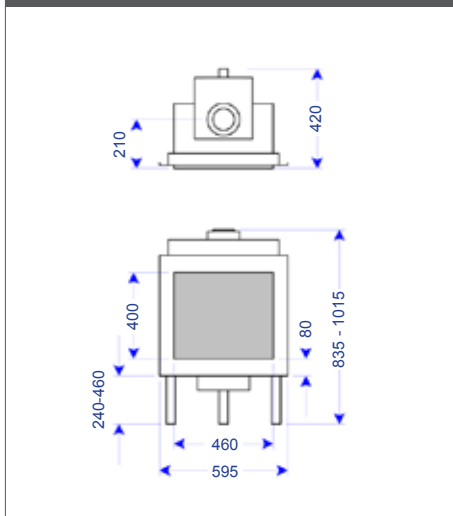
TL38 TRIMLESS



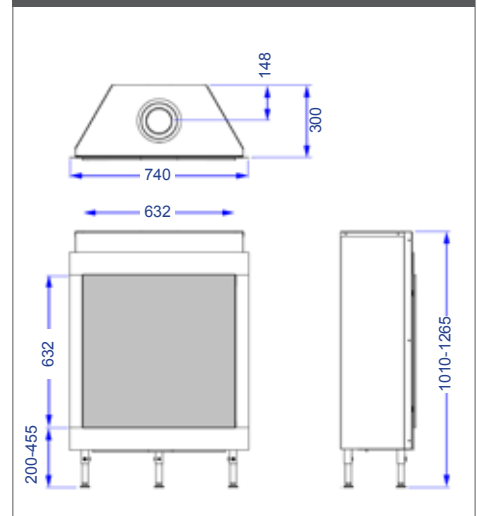
TL38c TRIMLESS



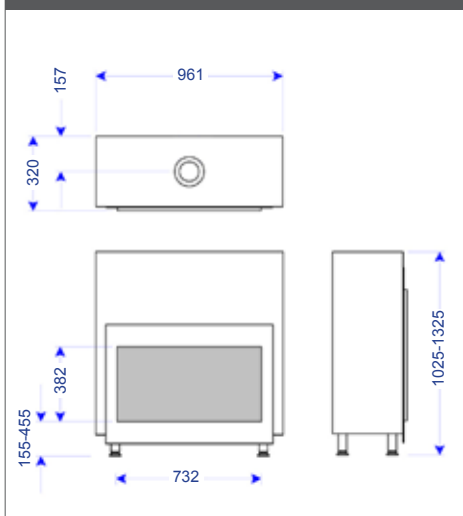
TL46 TRIMLESS



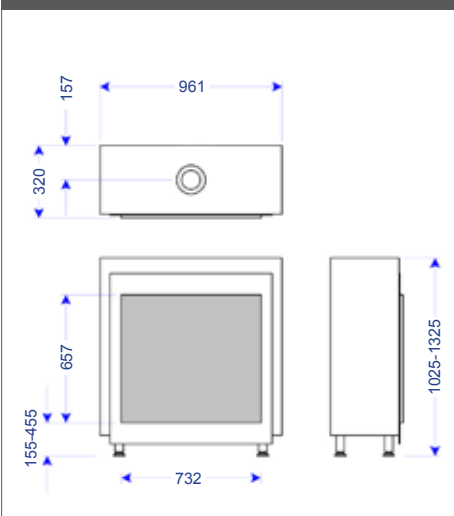
TL63h TRIMLESS



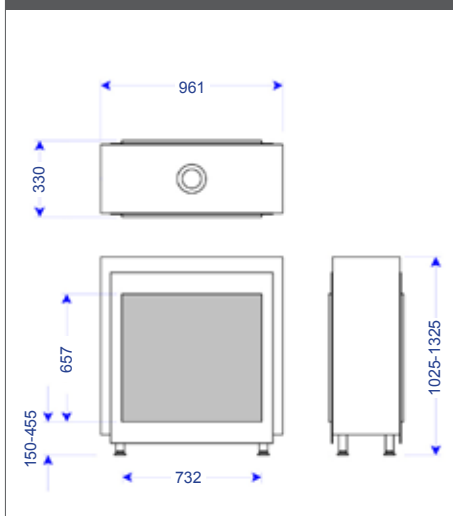
TL73 TRIMLESS



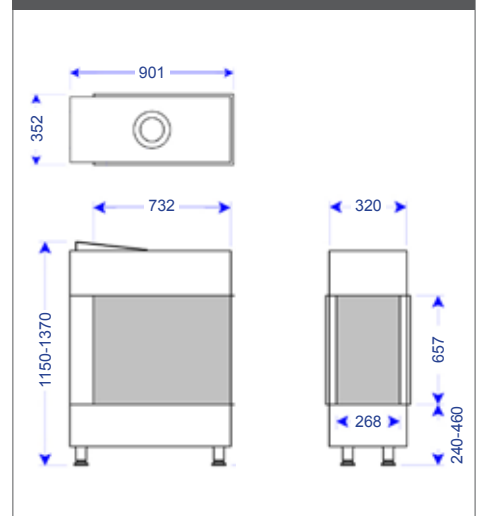
TL73h TRIMLESS



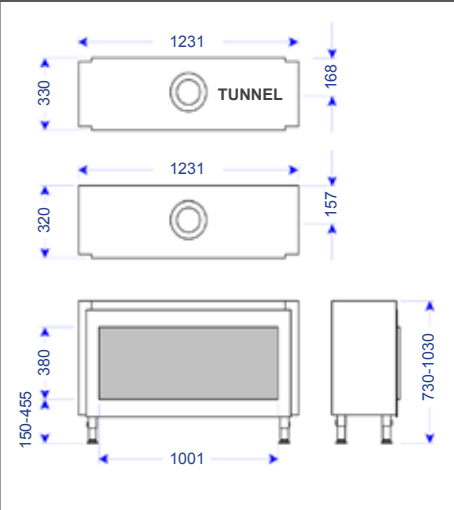
TL73ht TUNNEL



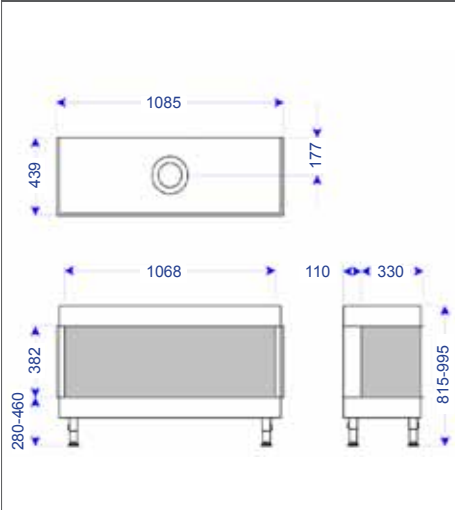
TL73rd ROOM DIVIDER



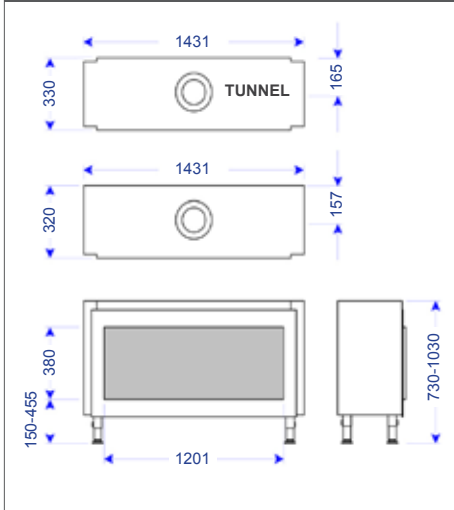
TL100 TRIMLESS / TUNNEL



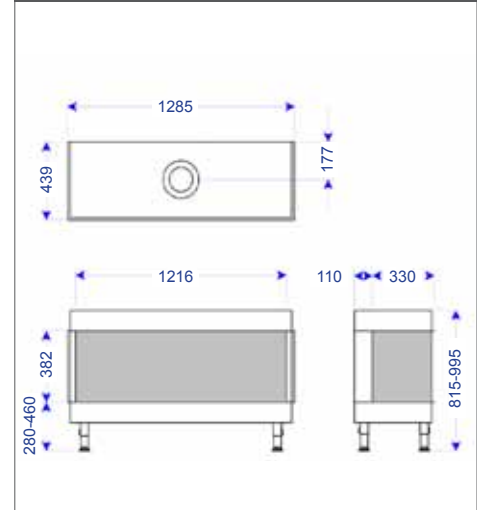
TL100p PANORAMIC



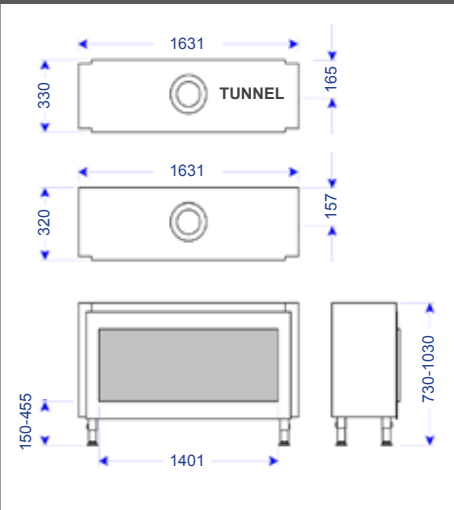
TL120 TRIMLESS / TUNNEL



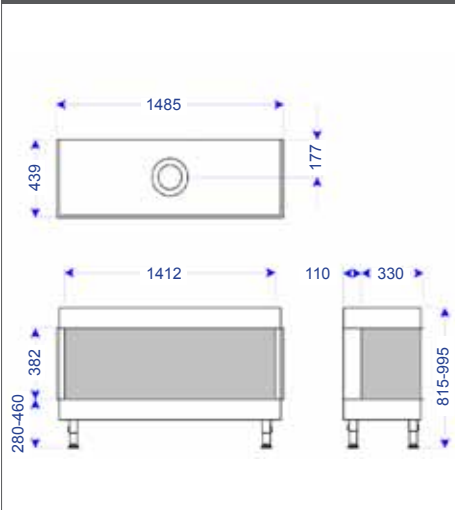
TL120p PANORAMIC



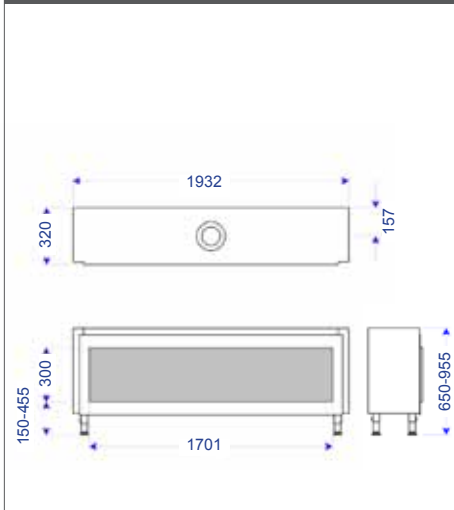
TL140 TRIMLESS / TUNNEL



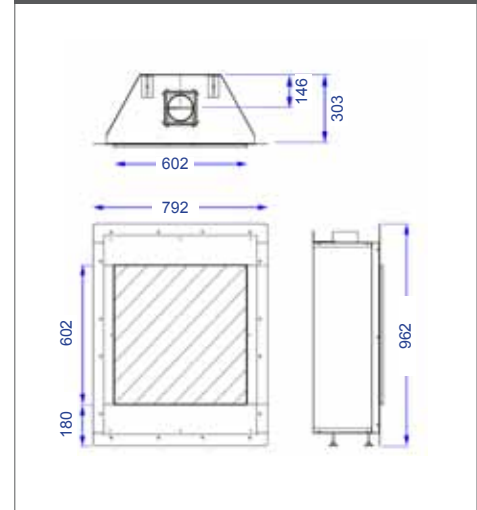
TL140p PANORAMIC



TL170 TRIMLESS



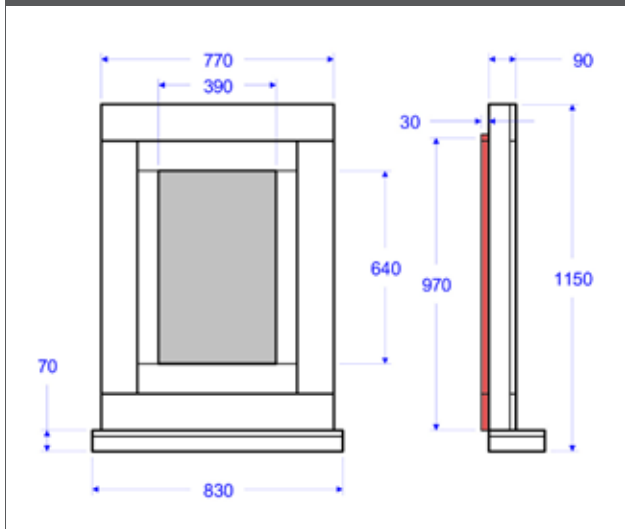
TL60cf TRIMLESS



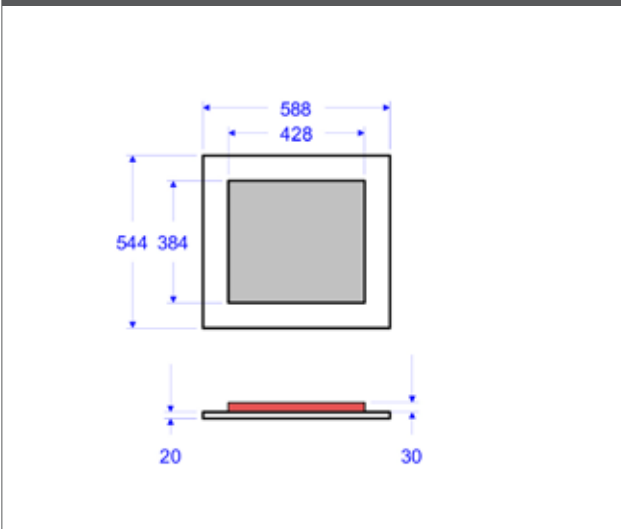
PRODUCT DIMENSIONS

All dimensions are in millimetres.
Red highlighted areas indicate parts of the fireplace that sit within the chimney/wall.

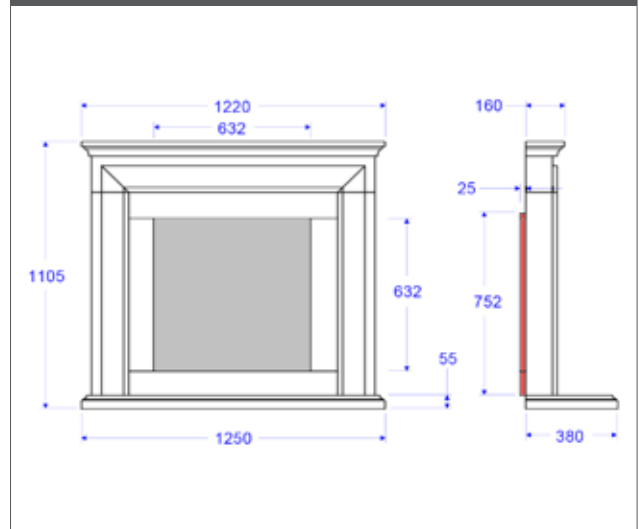
TL38 RISE



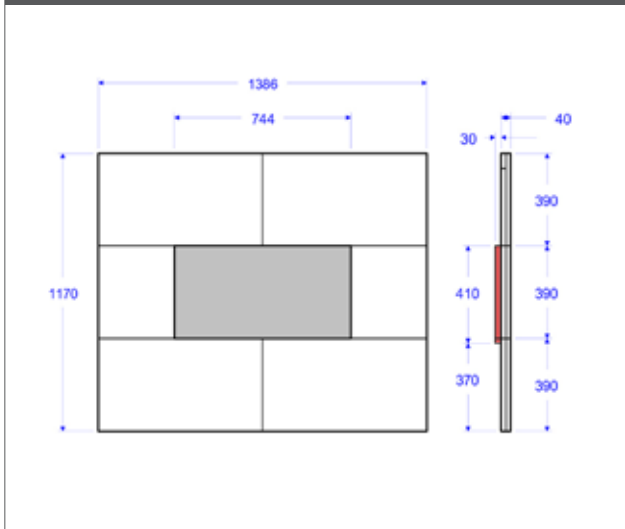
TL46 PHASE



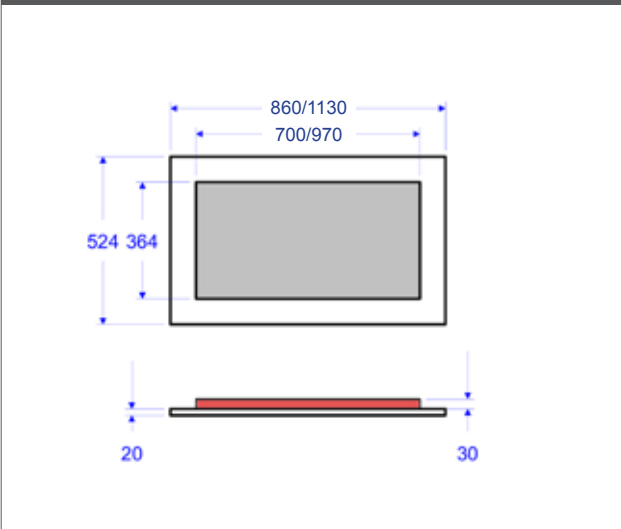
TL63h FAIRFIELD



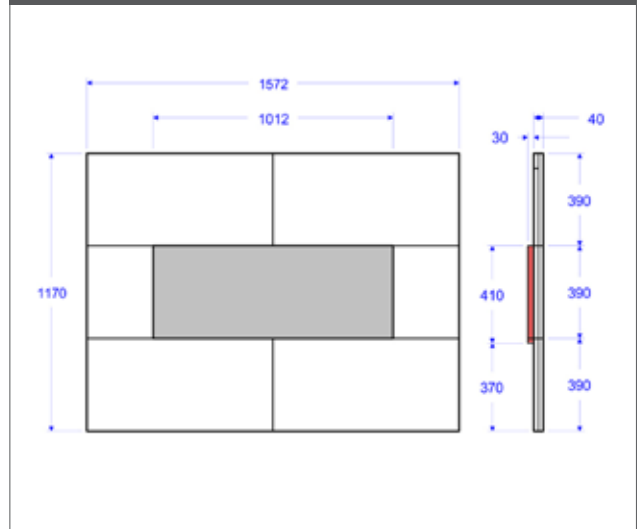
TL73 BLOK / BOLD



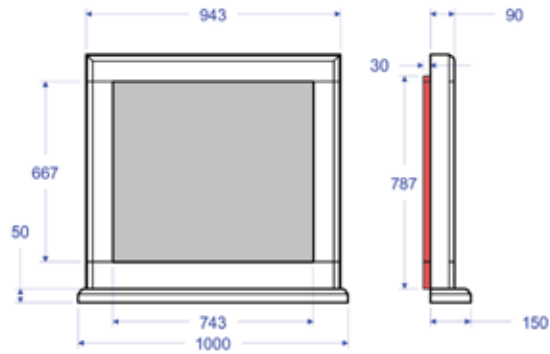
TL73 PHASE / TL100 PHASE



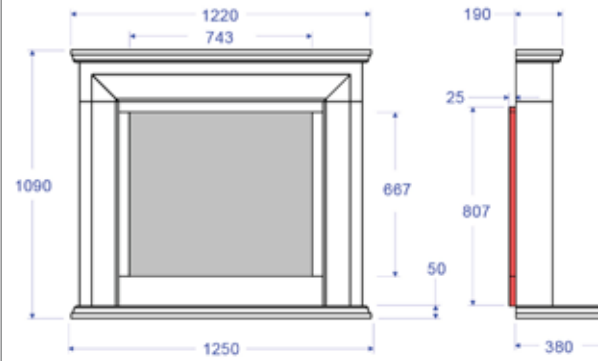
TL100 BLOK / BOLD



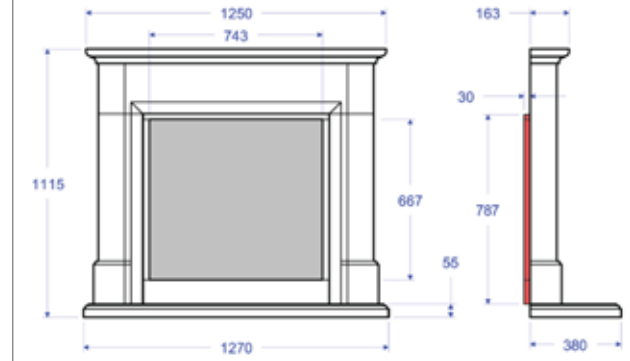
TL73h LINEAR



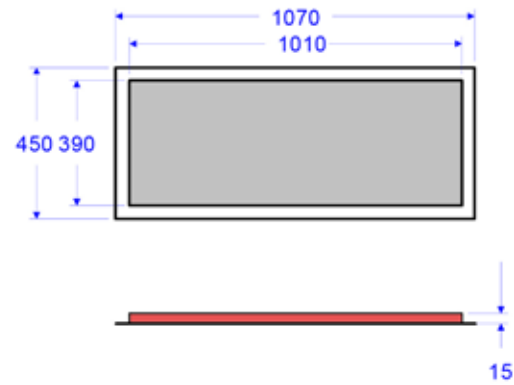
TL73h TORINO



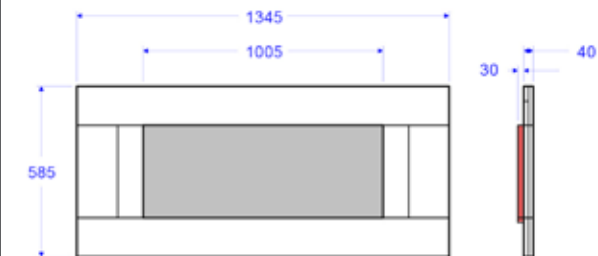
TL73h THIRLMERE



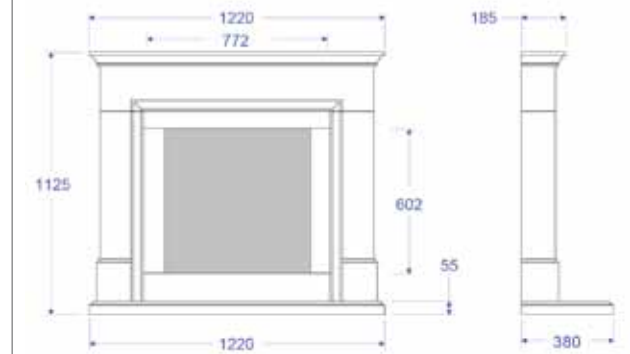
TL100 SILHOUETTE



TL100 DECO



TL60cf WOODBURY



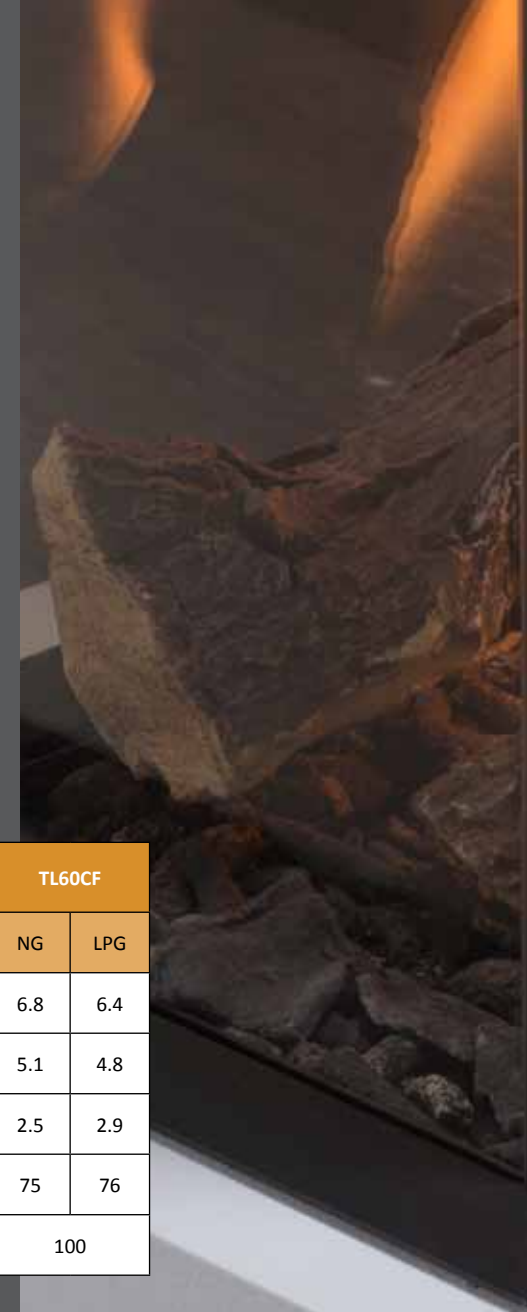
TECHNICAL SPECIFICATIONS

	TL38 / C		TL46		TL63H		TL73		TL73H		TL73RD		TL73T		TL100	
GAS TYPE	NG	LPG	NG	LPG	NG	LPG	NG	LPG	NG	LPG	NG	LPG	NG	LPG	NG	LPG
Heat input (kW)	7.1	6.7	7.3	7.4	10.2	9.1	12.7	10.2	11.5	8.8	11.5	8.8	11.5	8.8	12.4	10.2
Heat output max (kW)	5.3	5.0	5.5	5.6	7.7	7.3	8.9	7.7	7.8	5.7	7.8	5.7	7.8	5.7	9.3	7.3
Heat output min (kW)	2.8	2.5	2.5	2.6	3.1	2.9	3.6	3.1	3.7	2.5	3.7	2.5	3.7	2.5	3.7	2.9
Efficiency (%)*	75	75	75	76	75	80	70	75	68	65	68	65	68	65	75	72
Flue size (mm)	100/150		100/150		100/150		130/200		130/200		130/200		130/200		130/200	

* According to EN613 up and out kit.

	TL100 C/P		TL100 T		TL120		TL120 C/P		TL120 T		TL140		TL140 C/P		TL170		TL60CF	
GAS TYPE	NG	LPG	NG	LPG	NG	LPG	NG	LPG	NG	LPG	NG	LPG	NG	LPG	NG	LPG	NG	LPG
Heat input (kW)	12.8	10.6	12.4	10.2	12.6	10.6	14.8	12.4	12.6	10.6	16.1	14.3	16.0	12.8	15.5	14.9	6.8	6.4
Heat output max (kW)	9.6	7.6	9.3	7.3	9.5	8.0	11.0	9.3	9.5	8.0	12.1	10.3	12.6	8.5	12.0	11.2	5.1	4.8
Heat output min (kW)	3.8	3.1	3.7	2.9	3.8	3.2	4.4	3.7	3.8	3.2	4.8	4.1	5.0	3.4	4.8	4.5	2.5	2.9
Efficiency (%)*	75	72	75	72	75	75	75	75	75	75	75	72	79	70	77	77	75	76
Flue size (mm)	130/200		130/200		130/200		130/200		130/200		130/200		130/200		130/200		100	

* According to EN613 up and out kit.

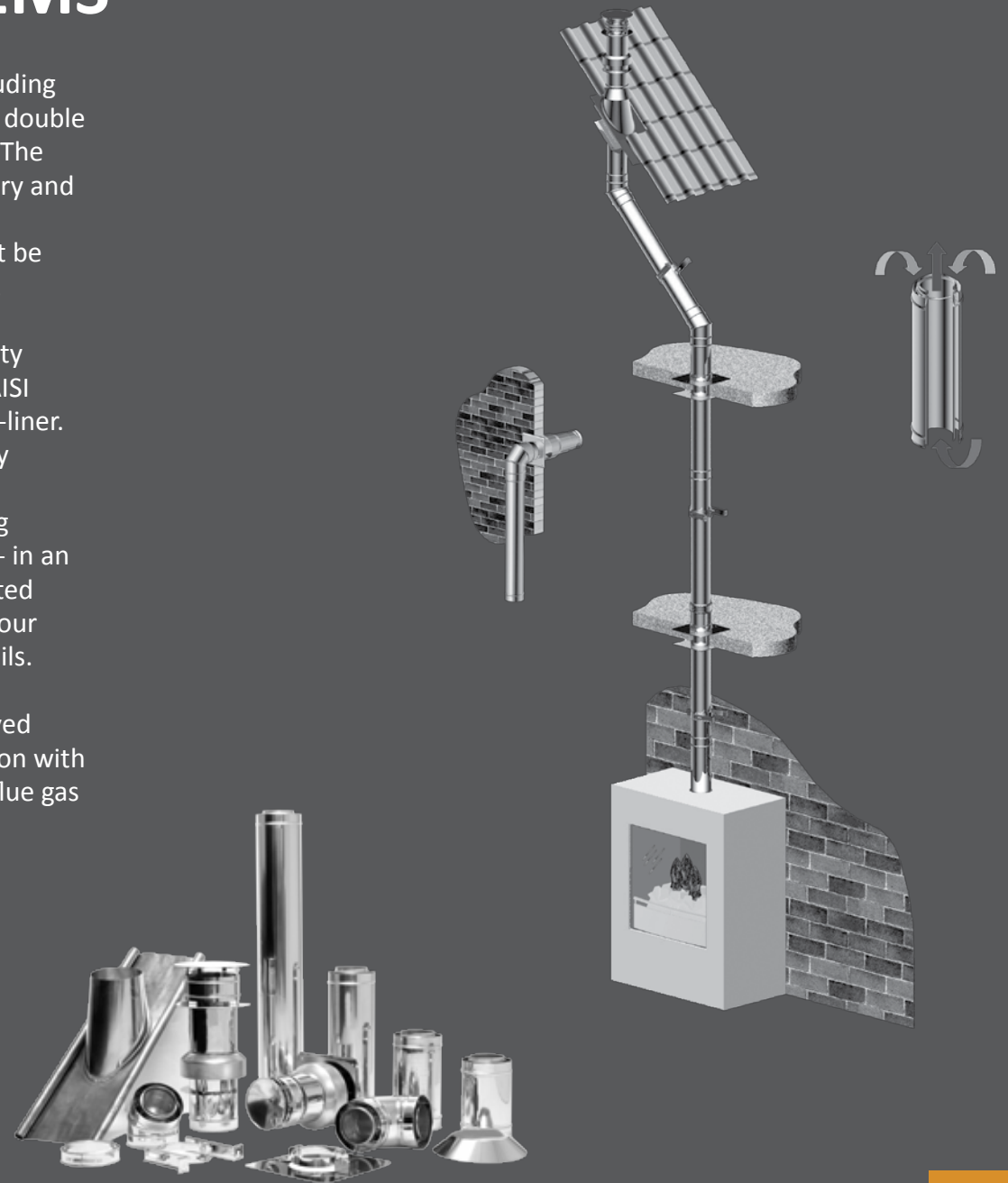


FLUE SYSTEMS

All Vision Trimline fires (excluding the TL60cf) use a specialised double wall concentric flue system. The THC-CC system is an obligatory and integral part of the complete combustion system and must be used when installing the fire.

THC-CC is made of high quality 0.5mm thick stainless steel AISI 316 inner and AISI 304 outer-liner. A wide range of flue/chimney components allows for easy installation when terminating through the wall or the roof - in an existing chimney or a dedicated fabrication. Please consult your nearest dealer for more details.

The THC-CC system is approved according to CE in combination with all Vision Trimline balanced flue gas fires.



VISION
trimline

Brought to you by

 PERCYDOUGHTY

Imperial Point, Express Trading Estate, Stone Hill Road, Farnworth, Bolton, BL4 9TN

Tel: 01204 868 550

Fax: 01204 868 551

Email: sales@percydoughty.com

www.visionfires.co.uk



5 055910 935053